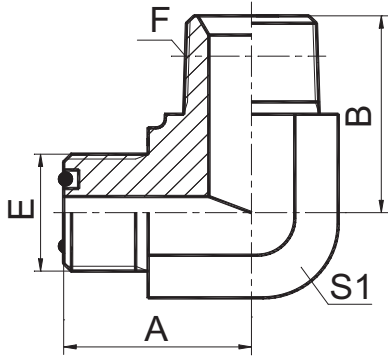


过渡接头 ADAPTER



1FT9-SP

90° 美制 ORFS 外螺纹 / 英锥管外螺纹
90° ORFS MALE/BSPT MALE

代号 PART NO.	螺纹 THREAD		O 形圈 O RING	尺寸 DIMENSIONS		
	E	F		A	B	S1
1FT9-04SP	9/16"X18	R1/4"X19	O011	23	25.5	14
1FT9-04-06SP	9/16"X18	R3/8"X19	O012	24	28.5	16
1FT9-06SP	11/16"X16	R3/8"X19	O012	27	28.5	19
1FT9-06-08SP	11/16"X16	R1/2"X14	O012	29	36	22
1FT9-08SP	13/16"X16	R1/2"X14	O014	31	36	22
1FT9-08-12SP	13/16"X16	R3/4"X14	O014	34.5	43.5	27
1FT9-10-08SP	1"X14	R1/2"X14	O016	36.5	39.5	27
1FT9-12SP	1.3/16"X12	R3/4"X14	O018	40.3	43.5	30
1FT9-12-16SP	1.3/16"X12	R1"X11	O018	42.5	50	33
1FT9-16SP	1.7/16"X12	R1"X11	O021	44.5	52	36
1FT9-16-20SP	1.7/16"X12	R1.1/4"X11	O021	47.5	56.5	41
1FT9-20SP	1.11/16"X12	R1.1/4"X11	O025	47.5	56.5	41
1FT9-20-24SP	1.11/16"X12	R1.1/2"X11	O025	52	62.5	48
1FT9-24SP	2"X12	R1.1/2"X11	O029	53.5	64	50
1FT9-24-32SP	2"X12	R2"X11	O029	59.5	69	63